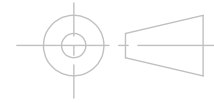
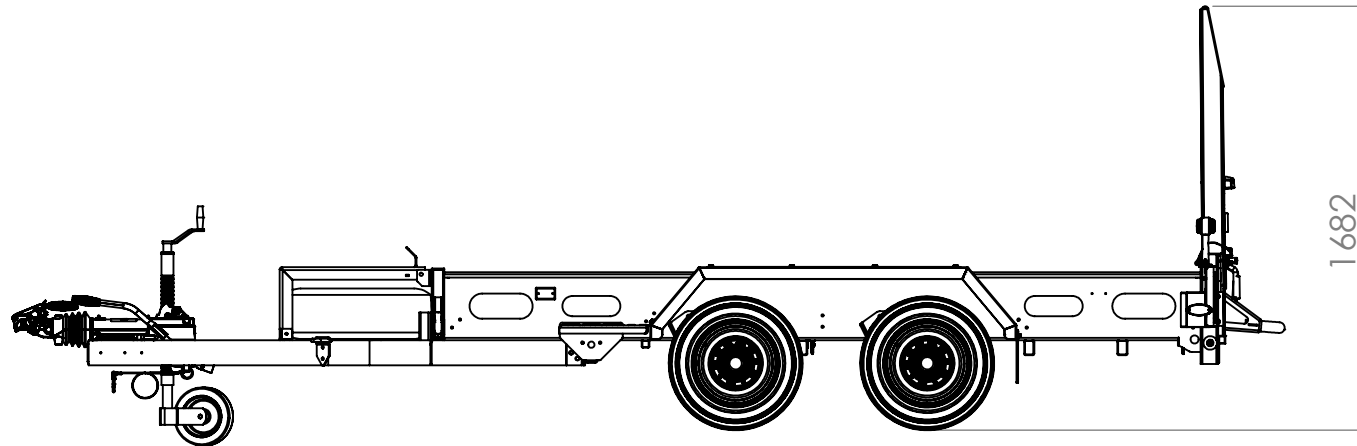
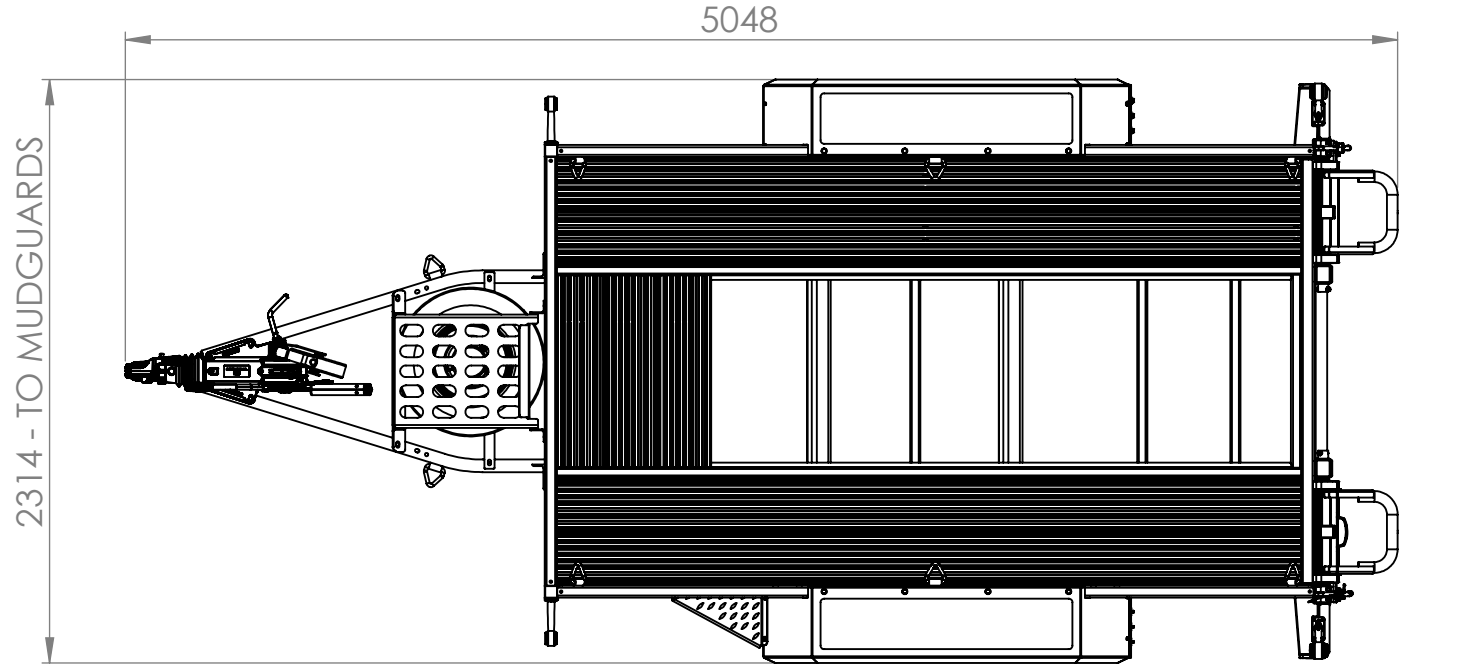


**IF IN DOUBT ASK**

**DO NOT SCALE DRAWING**



**THIRD ANGLE PROJECTION** A4



The information contained in this drawing is the sole property of Indespension Ltd. Any reproduction in part or as a whole without the written permission of Indespension Ltd is prohibited.

UNLESS OTHERWISE SPECIFIED:  
 DIMENSIONS: MM  
 MCHG. TOLERANCE: +/- 0.25  
 GEN. TOLERANCE: +/- 1.0  
 HOLE CENTRES: +/- 0.25

	NAME	SIGNATURE	DATE
DRAWN	CS		12/02/16
CHK'D			

**Indespension Ltd**  
 Chorley New Road  
 Horwich, Bolton BL6 6HG.  
 Tel. 01204 478500  
 Fax. 01204 478581

TITLE:			
MATERIAL:	SEE BOM	DWG NO:	PL35106HC
SCALE: 1:30	SHEET 1 OF 1	ISSUE:	01